

# ***MONTAGEVEJLEDNING FOR SVINGDØRE***

*Mounting instruction for swing doors*

MODELLER / MODELS

---

**MP0051**

**MP0052**

**(PDMINI, PD100, PD200)**

**MI0401**

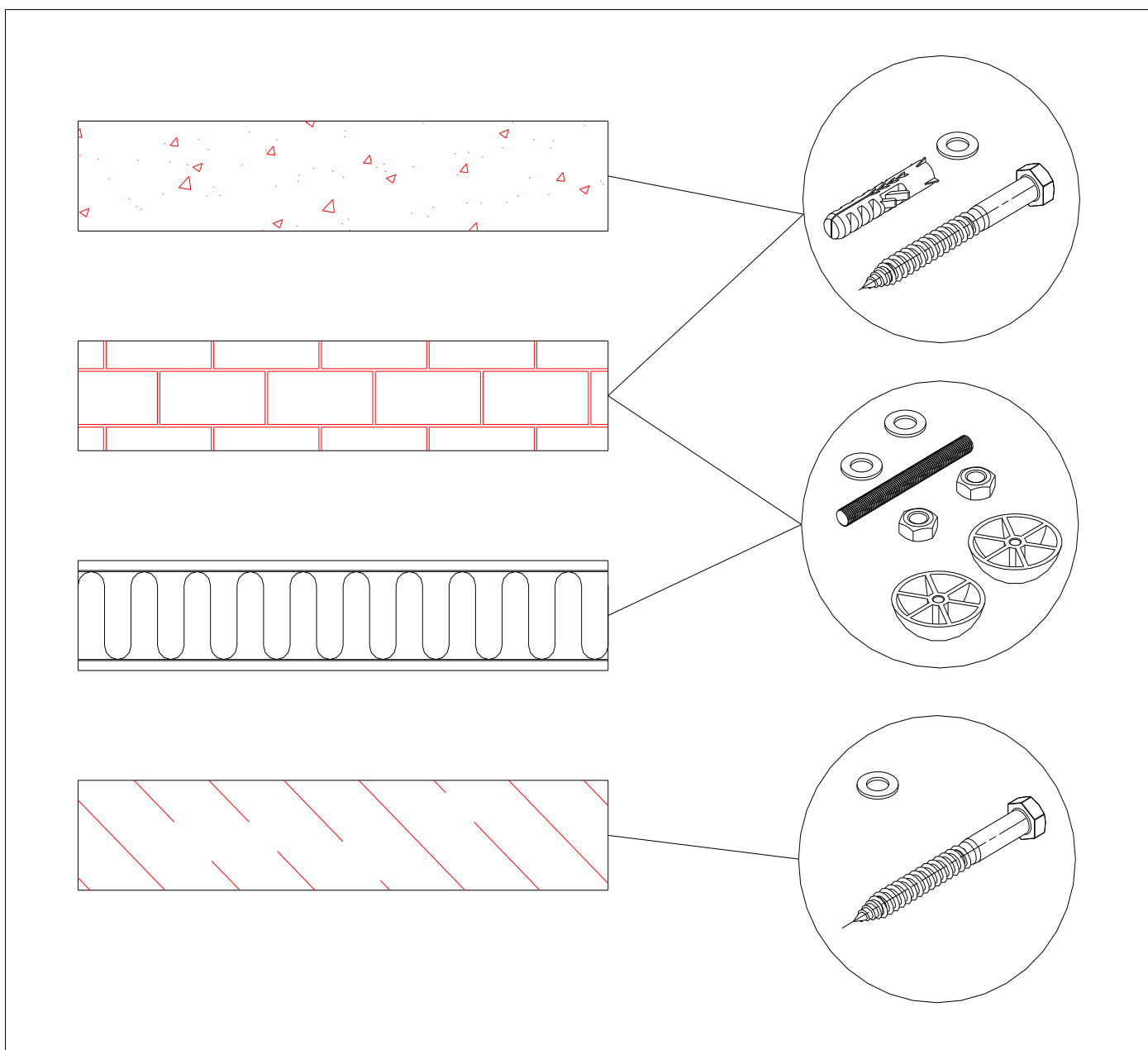
**MI0402**

## Indhold / table of contents

Leverancens indhold / Contents of the delivery.....	2
Typer af vægge og befæstigelse / types of walls and fixings.....	3
Montage / Mounting.....	3
Nødvendigt værktøj for montage / Tools for mounting.....	4
Montage af karm / mounting of frame.....	4
Justering af karm / adjustment of frame.....	4
Montage af dør / mounting of door.....	5
Principtegninger / principle drawings.....	6

## Leverancens indhold / Contents of the delivery

Beskrivelse / description	Bemærkning / remark
Karm i 3 dele / frame in 3 parts	
Svingdør(e) / swingdoor(s)	
Nødvendige bolte, skiver, skruer og rawplugs for montage / necessary bolts, screws and rawplugs for mounting	

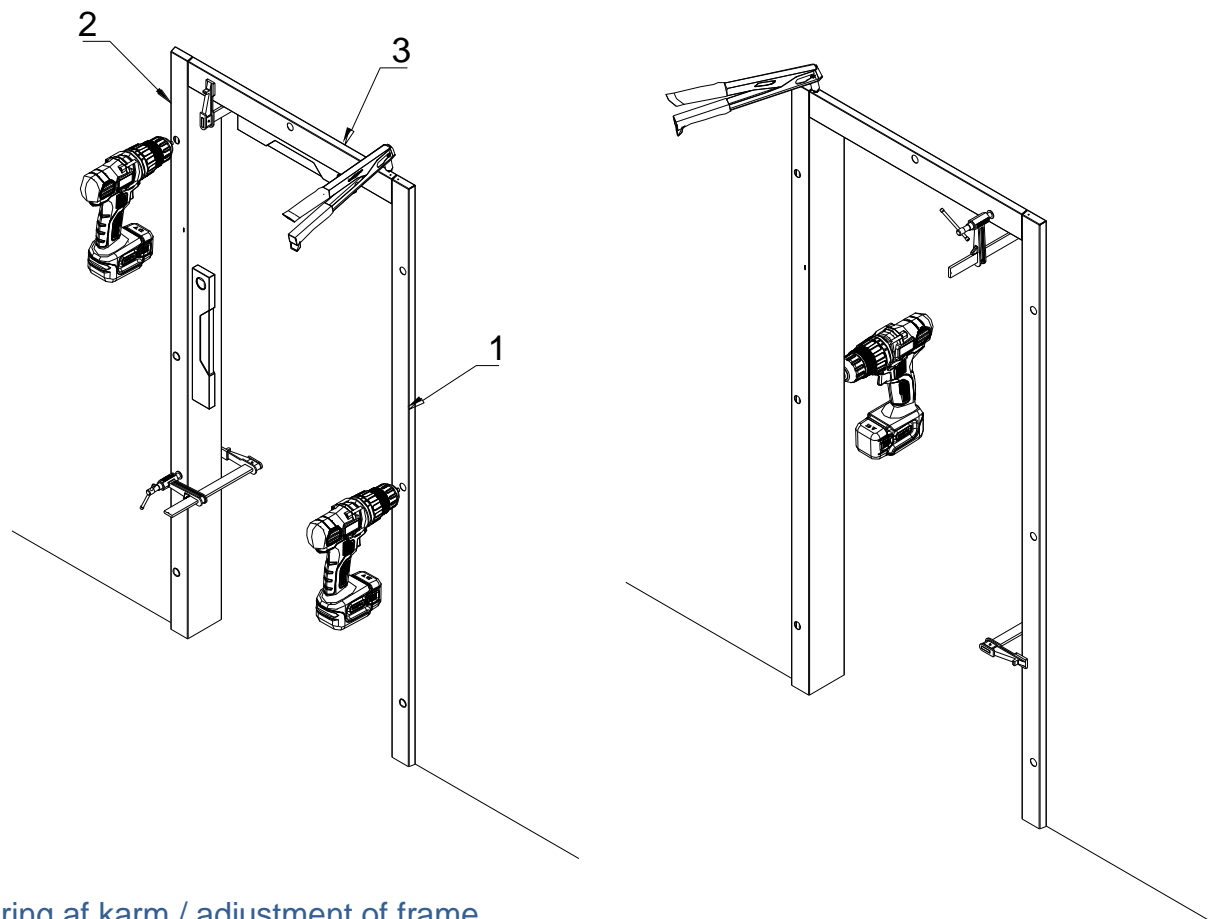


## Montage / Mounting

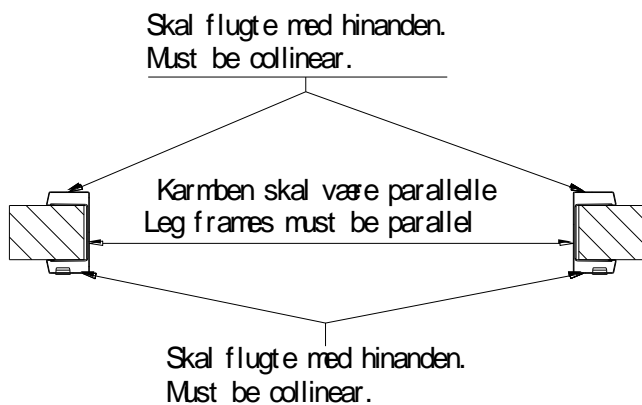
### Nødvendigt værktøj for montage / Tools for mounting

Kiler/opklodsning / Wedge/chocks  
Vaterpas / Spirit level  
Boremaskine/skruemaskine / Power drill/screwdriver  
Popnittedang / riveter  
Evt. fugemasse / E.g. adhesive

### Montage af karm / mounting of frame



### Justering af karm / adjustment of frame



Paralleliteten mellem karribenene  
justeres og sikres i montagebeslagene.

Parallelism between the leg frames  
must be adjusted and ensured in the  
mounting brackets.

