

Fibershield®-E

The economical textile fire protection closure with the highest level of standardisation

Product Description

textile fire protection curtain

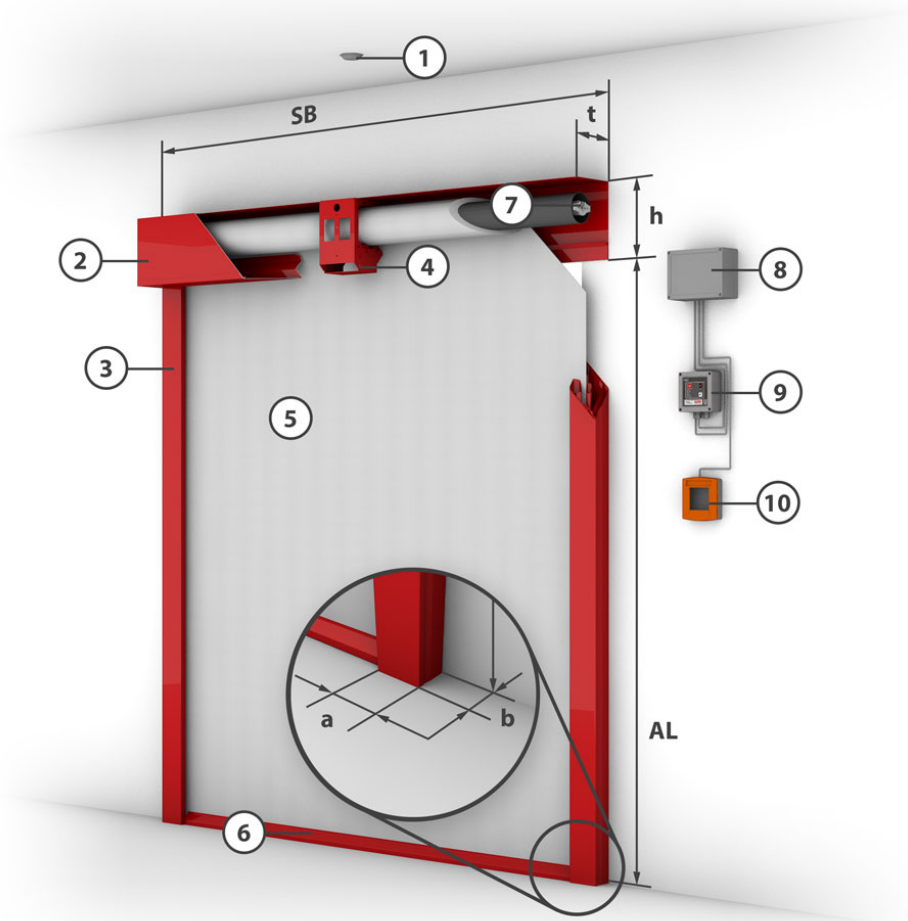
High standardization and thus economic partitioning system up to maximum widths of 6m and a roll-off length of up to 8m, or a width of up to 7m and a roll-off length of up to 5m as standard with "Gravigen" drive system, i. Close without external energy, no fire-resistant cables necessary High number of cycles of the motors of 10,000 cycles Various protection goals achievable through different types of fabric Large fire curtain systems at least class C 1 according to DIN EN 13501-2 Knob guidance Optional safety contact strip Optional spring-loaded bottom bar.

construction type	textile fire protection curtain	closing direction	from top to bottom
executable protection target	EI - with fire load free zone • EI - with sprinklers	proof	UB III/B-06-005 • 3102/717/07 • UB 3.1/09-021 • UB III/B-08-012 • UB III/B-08-016
Fire resistant	E 30 • E 60 • E 90 • EW 30 • EW 60 • Classified in compliance with DIN EN 13501-2	closing cycle	C2 number of closing cycles 10.000
fabric	Heliotex • Ecotex 1100 A2		
fire load free zone	Heliotex: EI 30/60/90min 20/30/50 cm • Protex/Ecotex: EI 30/60/90min 100/150/200 cm		

Constructive structure (system drawing)

Classification	Fabric	System width (SB)	Unrolled length (AL)	t	h
E 90 / EW 30	Ecotex 1100	≥ 1,1 m - ≤ 3 m	≤ 3 m	200 mm	220 mm
EW 90	Heliotex EW	≥ 1,1 m - ≤ 3 m	≤ 3 m	200 mm	220 mm

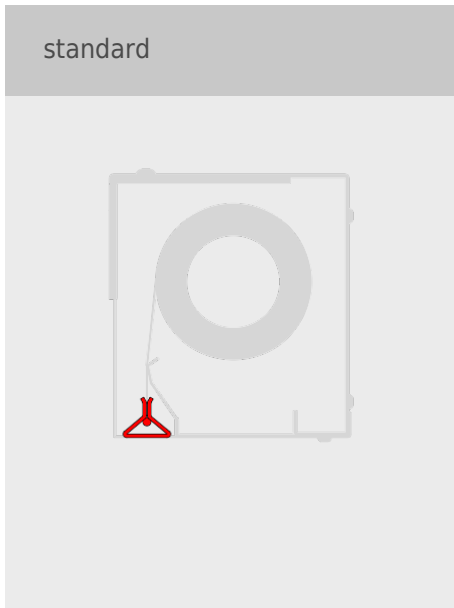
(Special sizes on request - technically feasible up to a width of 7m (Ecotex 1100) or 6m (Heliotex))



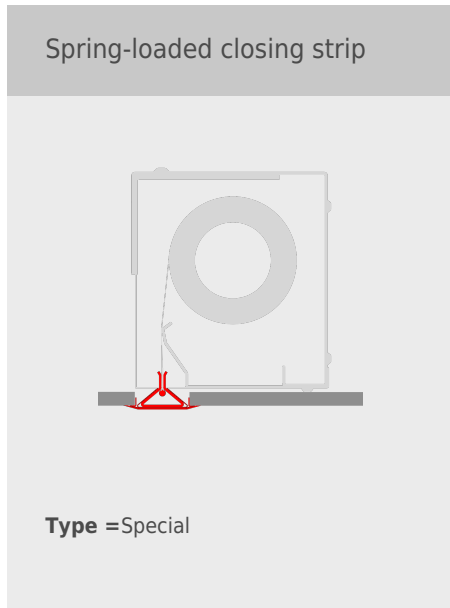
- 1** = Smoke detector **2** = Casing **3** = Side guide **4** = Fixing bracket **5** = Fabric **6** = Closing element **7** = Tubular motor
8 = Control module **9** = Control with operating unit **10** = Manual release

bottom bar

standard



special



alternatives for installation

