

Supercoil

The traditional automatic smoke curtain to match highest demands and large dimensions

Product Description

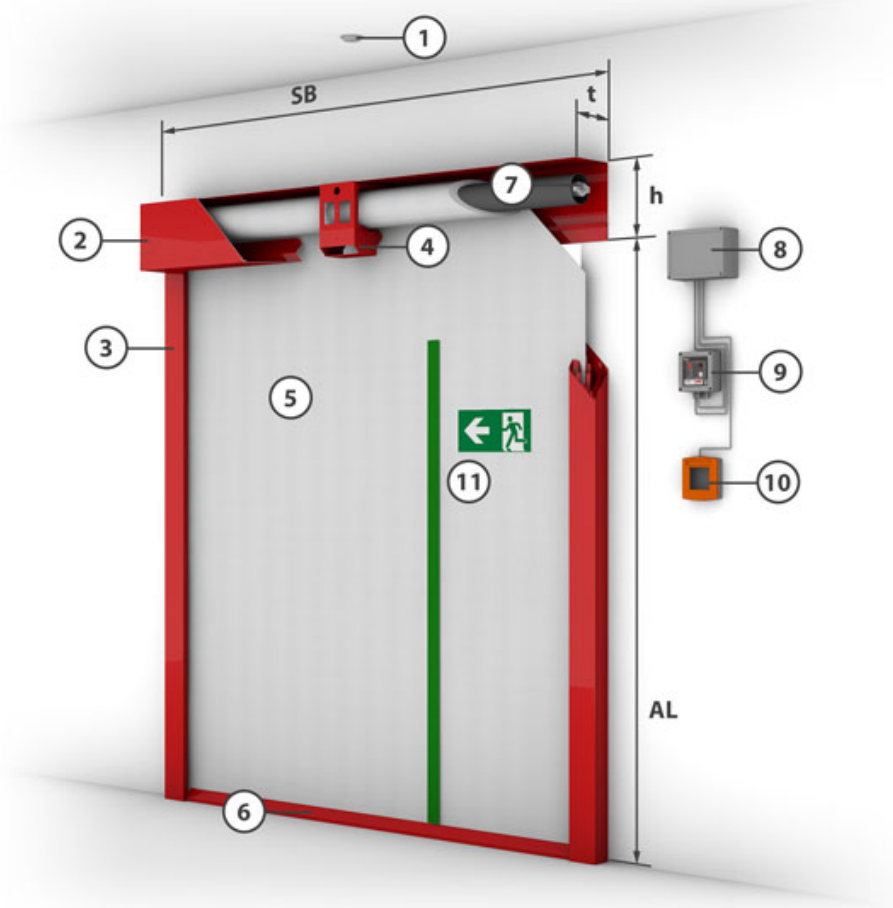
textile smoke curtain

Supercoil stands out thanks to its flexibility when implementing made-to-measure solutions. The smoke curtains are made of one piece of material that is up to 50 m in width and an unrolled length of 9.5 m, and is designed for high time classes at temperature loads up to 600 °C (D) and 1,100 °C (ETK curve - DH). When using guide rails, 0% leaks can be realised across the entire smoke curtain. The curtain is closed without any external energy with a 'Gravigen' drive motor. Supercoil is also suitable as a floor-closing and space-creating smoke curtain, and can be equipped with an opening to allow persons to pass. Also, the clever construction allows it to be combined with the passable Stripecoil smoke curtain.

| | | | |
|--------------------------------------|------------------------------------|------------------------|---|
| construction type | textile smoke curtain | closing cycle | 1,000 cycles acc. to DIN EN 12101-1 |
| certificate for the usability | CE acc. to DIN EN 12101-1 | classifications | DH 120 • D 60 • classifications according to DIN EN 12101-1 |
| fabric | Protex 600.1 A2 • Protex 1100.1 A2 | Triggering for | authorized hold open device • provided by site |
| closing direction | from top to bottom | | |
| proof | Z - 56. 429 - 916 • 0761-CPD-0060 | | |

Constructive structure (With guide rail)

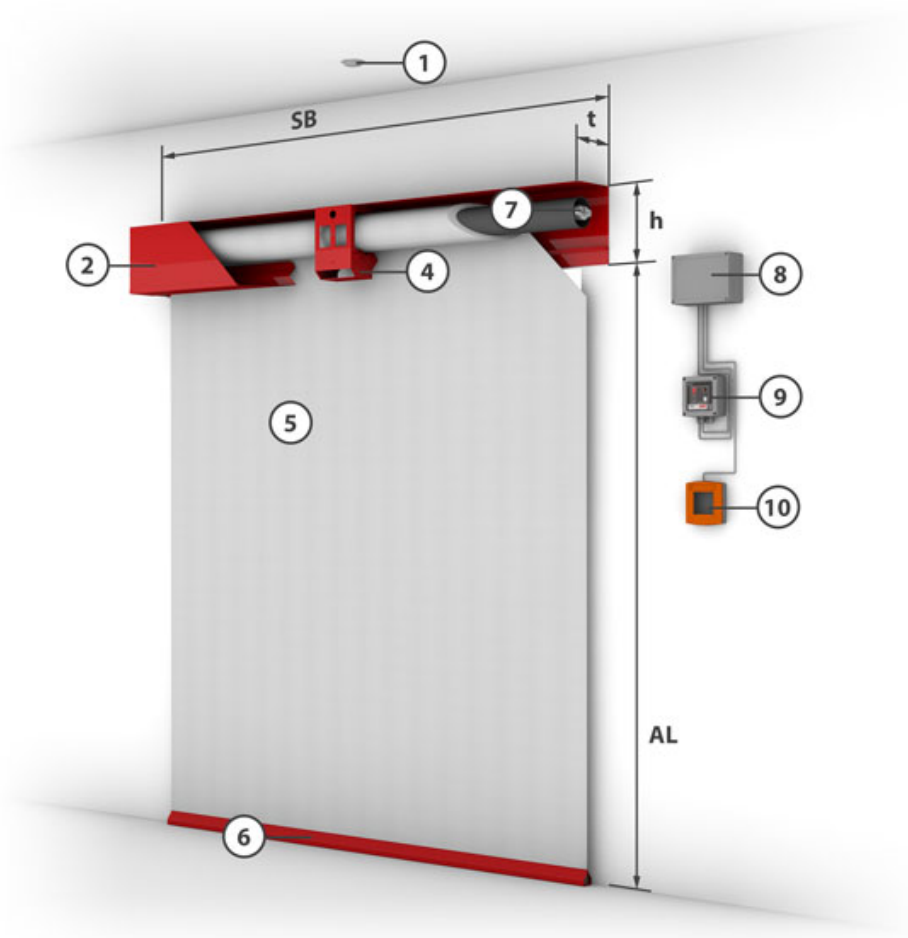
| fabric | system width (SB) | drop length (AL) | t (mm) | h (mm) |
|-----------------------------|-------------------|------------------|--------|--------|
| Protex 600.1 A2 / 1100.1 A2 | ≥ 0,8 m - ≤ 1,6 | ≤ 3,5 m | 190 | 250 |
| Protex 600.1 A2 / 1100.1 A2 | > 1,6 m - ≤ 30 m | ≤ 3,5 m | 190 | 200 |
| Protex 600.1 A2 / 1100.1 A2 | ≥ 1,2 m ≤ 30 m | > 3,5 m - ≤ 6 m | 190 | 250 |
| Protex 1100.1 A2 | ≥ 2,0 m ≤ 20 m | > 6 m - ≤ 9 m | 235 | 290 |



- 1** = Smoke detector **2** = Casing **3** = side guides **4** = Fixing bracket **5** = Fabric **6** = Closing element **7** = Tubular motor
8 = Control module **9** = Control with operating unit **10** = Manual release **11** = Wicket door (optional)

Constructive structure (Without guide rail)

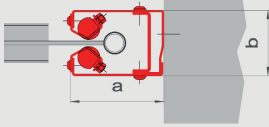
| fabric | system width (SB) | drop length (AL) | t (mm) | h (mm) |
|-----------------------------|-------------------|------------------|--------|--------|
| Protex 600.1 A2 / 1100.1 A2 | ≥ 0,8 m - ≤ 1,6 | ≤ 3,5 m | 190 | 250 |
| Protex 600.1 A2 / 1100.1 A2 | > 1,6 m - ≤ 50 m | ≤ 3,5 m | 190 | 200 |
| Protex 600.1 A2 / 1100.1 A2 | ≥ 1,2 m ≤ 50 m | > 3,5 m - ≤ 6 m | 190 | 250 |
| Protex 1100.1 A2 | ≥ 2,0 m - ≤ 50 m | > 6 m - ≤ 9 m | 235 | 290 |



- 1** = Smoke detector **2** = Casing **4** = Fixing bracket **5** = Fabric **6** = Closing element **7** = Tubular motor **8** = Control module
9 = Control with operating unit **10** = Manual release

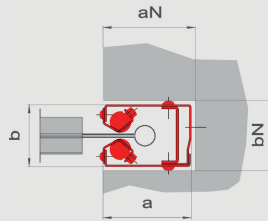
side guides

Type 105 E (embrasure)



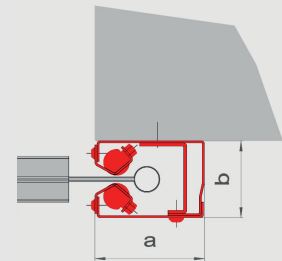
a = 105 mm **b** = 74 mm
AL = ≤ 6 m **A** = ≤ 50 m²

Type 105 E (niche)



a = 105 mm **b** = 74 mm
AL = ≤ 6 m **A** = ≤ 50 m²

Typ 105 E(Wall)



a = 105 mm **b** = 74 mm
AL = ≤ 6 m **A** = ≤ 50 m²

Har du brug for yderligere oplysninger eller ønsker et konkret tilbud, så kontakt os gerne på telefon **86 92 11 71** eller send en e-mail på info@doorsystem.dk.

DOORSYSTEM

Agerskovvej 16 · DK-8362 Hørning · Denmark · www.doorsystem.dk