

Supercoil

The traditional automatic smoke curtain to match highest demands and large dimensions

Product Description

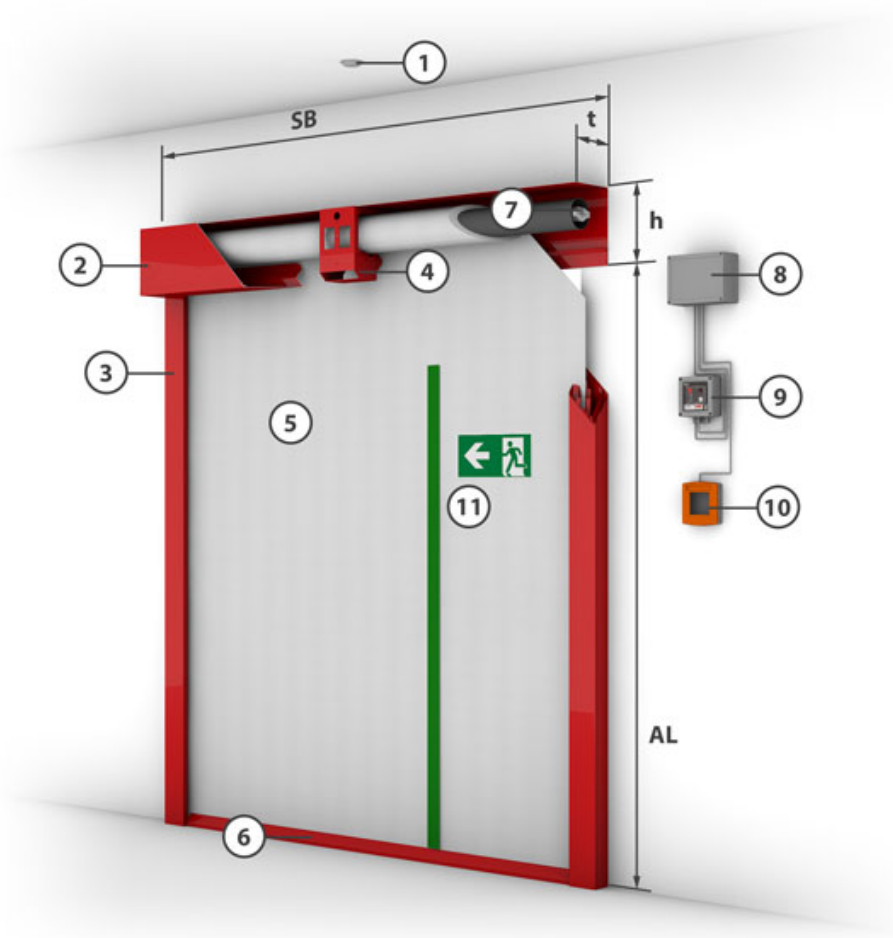
textile smoke curtain

Supercoil stands out thanks to its flexibility when implementing made-to-measure solutions. The smoke curtains are made of one piece of material that is up to 50 m in width and an unrolled length of 9.5 m, and is designed for high time classes at temperature loads up to 600 °C (D) and 1,100 °C (ETK curve - DH). When using guide rails, 0% leaks can be realised across the entire smoke curtain. The curtain is closed without any external energy with a 'Gravigen' drive motor. Supercoil is also suitable as a floor-closing and space-creating smoke curtain, and can be equipped with an opening to allow persons to pass. Also, the clever construction allows it to be combined with the passable Stripecoil smoke curtain.

construction type	textile smoke curtain	closing cycle	1,000 cycles acc. to DIN EN 12101-1
certificate for the usability	CE acc. to DIN EN 12101-1	classifications	DH 120 • D 60 • classifications according to DIN EN 12101-1
fabric	Protex 600.1 A2 • Protex 1100.1 A2	Triggering for	authorized hold open device • provided by site
closing direction	from top to bottom		
proof	Z - 56. 429 - 916 • 0761-CPD-0060		

Constructive structure (With guide rail)

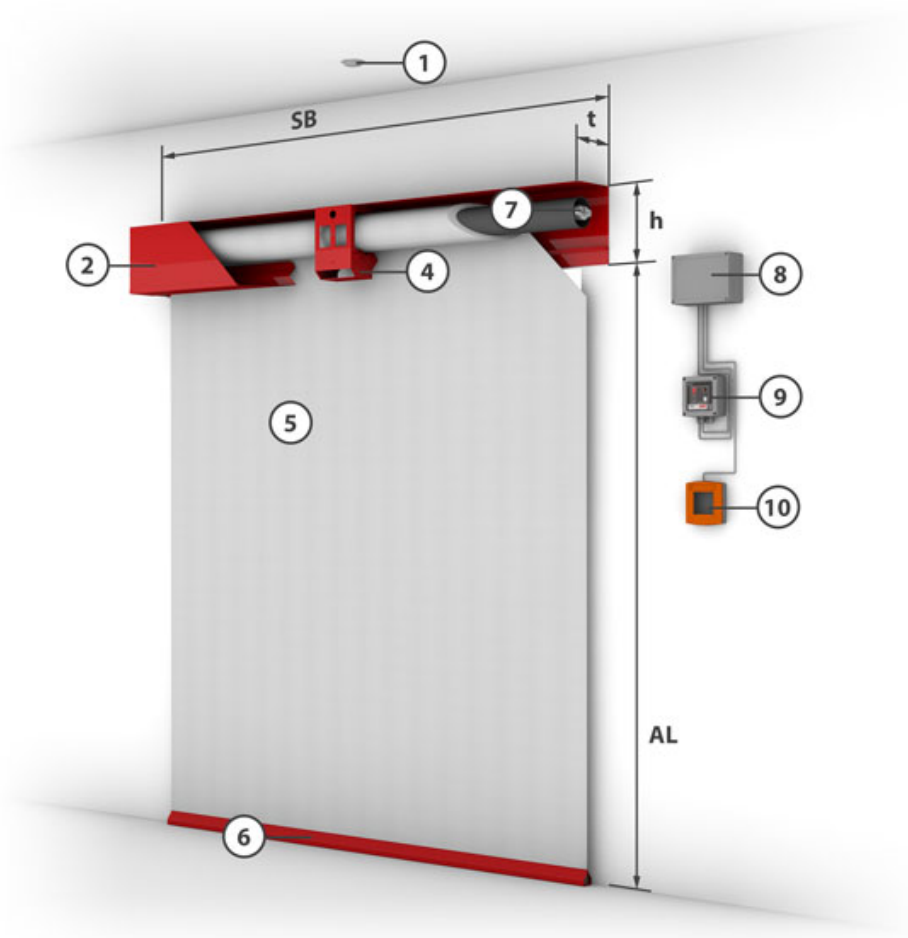
fabric	system width (SB)	drop length (AL)	t (mm)	h (mm)
Protex 600.1 A2 / 1100.1 A2	≥ 0,8 m - ≤ 1,6	≤ 3,5 m	190	250
Protex 600.1 A2 / 1100.1 A2	> 1,6 m - ≤ 30 m	≤ 3,5 m	190	200
Protex 600.1 A2 / 1100.1 A2	≥ 1,2 m ≤ 30 m	> 3,5 m - ≤ 6 m	190	250
Protex 1100.1 A2	≥ 2,0 m ≤ 20 m	> 6 m - ≤ 9 m	235	290



- 1** = Smoke detector **2** = Casing **3** = side guides **4** = Fixing bracket **5** = Fabric **6** = Closing element **7** = Tubular motor
8 = Control module **9** = Control with operating unit **10** = Manual release **11** = Wicket door (optional)

Constructive structure (Without guide rail)

fabric	system width (SB)	drop length (AL)	t (mm)	h (mm)
Protex 600.1 A2 / 1100.1 A2	≥ 0,8 m - ≤ 1,6	≤ 3,5 m	190	250
Protex 600.1 A2 / 1100.1 A2	> 1,6 m - ≤ 50 m	≤ 3,5 m	190	200
Protex 600.1 A2 / 1100.1 A2	≥ 1,2 m ≤ 50 m	> 3,5 m - ≤ 6 m	190	250
Protex 1100.1 A2	≥ 2,0 m - ≤ 50 m	> 6 m - ≤ 9 m	235	290

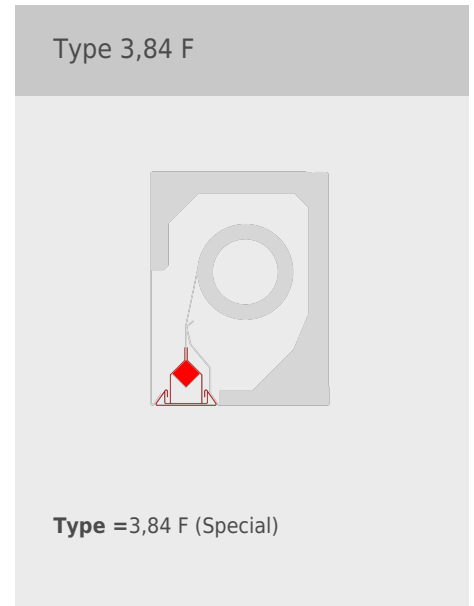
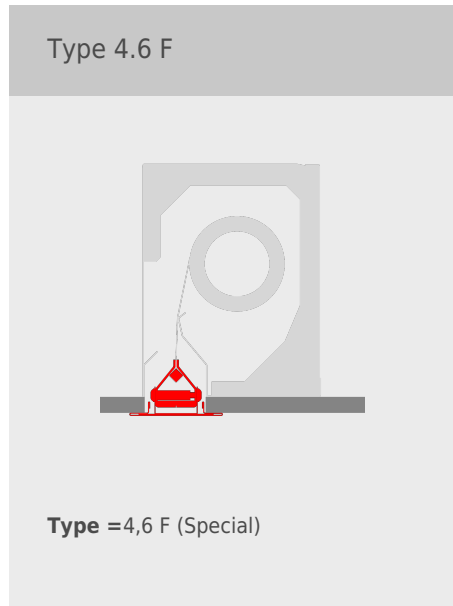
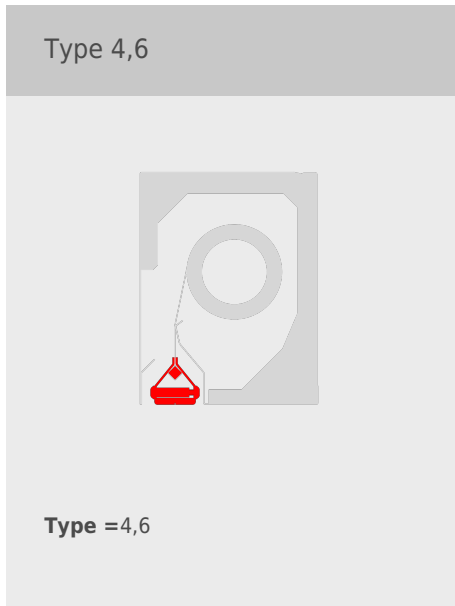


- 1** = Smoke detector **2** = Casing **4** = Fixing bracket **5** = Fabric **6** = Closing element **7** = Tubular motor **8** = Control module
9 = Control with operating unit **10** = Manual release

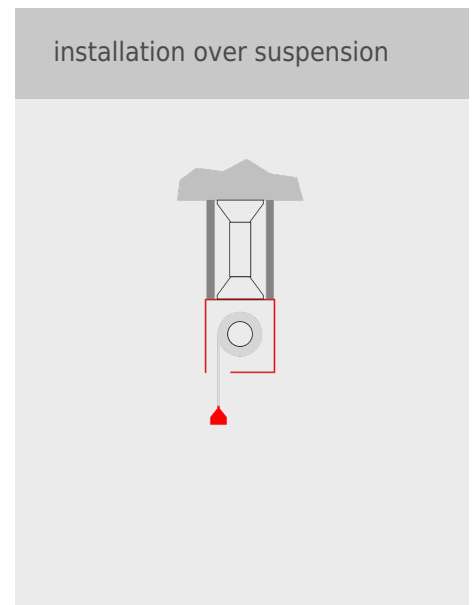
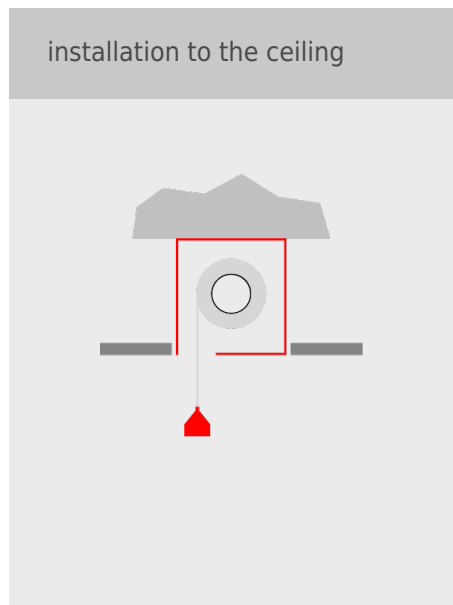
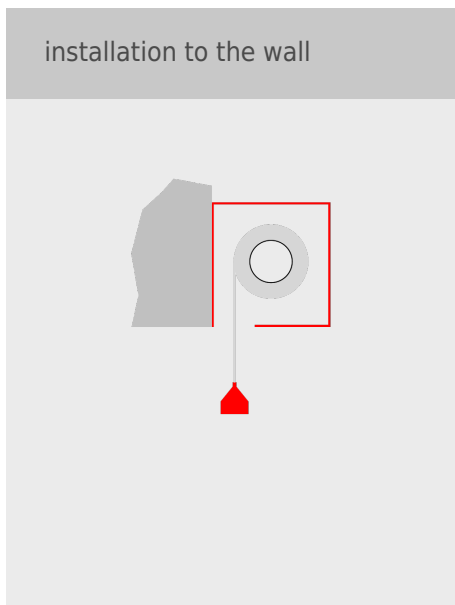
bottom bar

standard

special

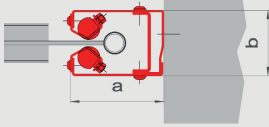


alternatives for installation



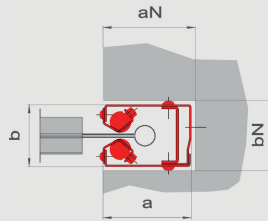
side guides

Type 105 E (embrasure)



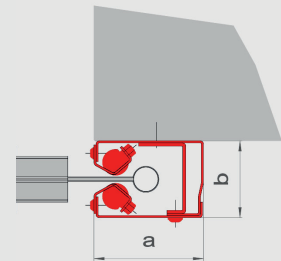
a = 105 mm **b** = 74 mm
AL = ≤ 6 m **A** = ≤ 50 m²

Type 105 E (niche)



a = 105 mm **b** = 74 mm
AL = ≤ 6 m **A** = ≤ 50 m²

Typ 105 E(Wall)



a = 105 mm **b** = 74 mm
AL = ≤ 6 m **A** = ≤ 50 m²

If you need further information or want a specific offer,
please contact us by phone [+45 86 92 11 71](tel:+4586921171)
or send an e-mail to info@doorsystem.dk.

DOORSYSTEM

Agerskovvej 16 · DK-8362 Hørning · Denmark · www.doorsystem.dk