

# *MOUNTING INSTRUCTION FOR HINGED FIRE DOORS*

MODEL

---

MH0751EI<sub>2</sub>60 /  
MH0752EI<sub>2</sub>60

## Indhold

---

Indhold .....	2
General conditions .....	3
The instruction covers.....	3
Content of delivery .....	4
Type of wall/fastening .....	4
Mounting.....	5
Tools for mounting.....	5
Before mounting .....	5
Control of wall opening.....	5
Distances between wall and frame .....	5
Mounting of threshold.....	7
Mounting of door leaf and fitting of hardware .....	7
Sealing of doors.....	8
Cleaning after mounting .....	9
Documentation .....	9

## General conditions

---

- It is essential for the fire properties of the fire door, that the door is correctly installed in accordance with these instructions.
- The fire door shall be mounted by qualified personnel.
- The person/company who mounts the fire door, is responsible for, that the door is mounted correctly.
- Do not change the content or texture of the insulation of the frame. It will impair the fire properties of the fire door.
- Do not mill, cut, drill or do any other machining of the door or frame.
- Do not mount letter slot or peep hole in the door.
- By inflammable flooring, ex. carpet, a bottom plate of min. 75 mm width is required. Inflammable wallcovering must not go through the wall opening.
- Door sign, or other signs moreover, shall be visible, valid, and must not be covered or painted.
- If door plate or other signs is damaged or disappears, the door must not be used as a fire door until it is identified as a fire door and the signs are re-established. The identification shall be done by the fire authority.
- If changes to the door are required, please contact Door System A/S, to ensure the changes will not affect the fire safety and fire classification of the door.
- The owner of the building/fire door is responsible for that the door is operational.

## The instruction covers

---

This instruction covers all variations of the models stated on the front page. A variation contains the model number and following letters and possible numbers. For example, a variation can be (based on the model number MH0751EI260): MH0751EI260-C.

## Content of delivery

Description	Comment
Counter frame	Option
Frame + door leaf	
Necessary bolts, muster, screws and plugs for installation	

## Type of wall/fastening

The fire door must always be installed in a fire wall.

The following wall types are approved for the fire door:

- Min. 150 mm rigid wall with a density of at least 575 kg/m<sup>3</sup>.
- Min. 100 mm panel EI60 fire wall, build as PAROC AST-S.
- Min. 95 mm flexible wall (EI60 fire wall) built with a stud wall of steel or wood.

Approved fixing elements:

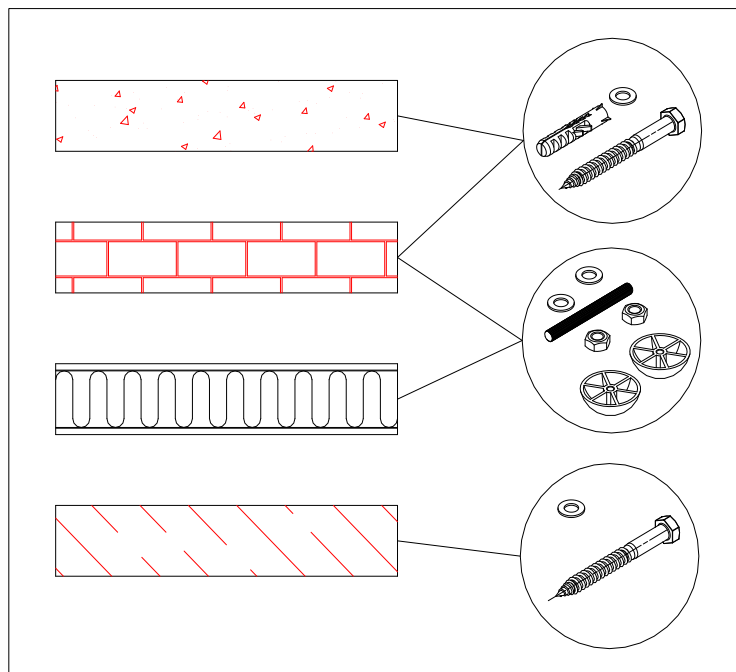
Rigid wall: M8 120 mm screws and plastic plugs or M7,5 x 112 mm steel screws.

Panel wall: through-going Ø8 treaded steel rods with washer and nuts or through-going M8 steel screws with washer and nuts.

Flexible wall: M8 x 80 mm screws with washer or M6 x 80 mm steel screws with washer or M8 x 50 mm screws and washer and steel reinforcement.

Threshold: M6x80 mm screws

It is possible to use alternative fixing elements provided they are made of metal with a melting point of at least 850°C and that the fixing elements are appropriate for the type of supporting construction in question.



## Mounting

---

### Tools for mounting

---

Wedges/chocks

Spirit level

Power drill/screwdriver/riveter

Stone wool

Adhesive – NB, the fire approval is only valid with the correct type of adhesive

E.g. concrete for casting

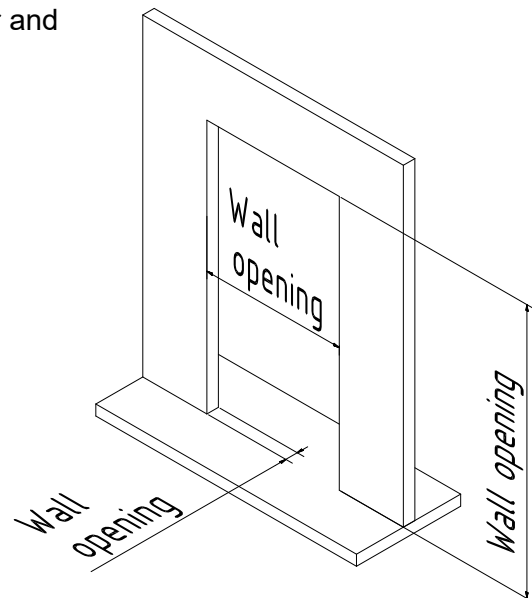
### Before mounting

---

#### Control of wall opening

---

Make sure the wall opening is level and perpendicular and in accordance with the order confirmation.

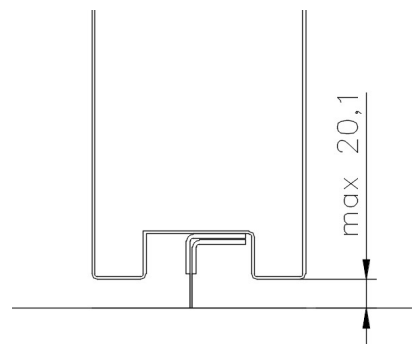
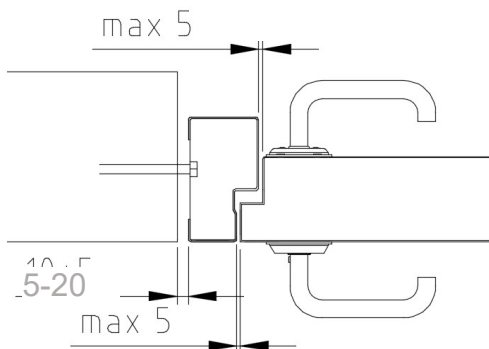


#### Distances between wall and frame

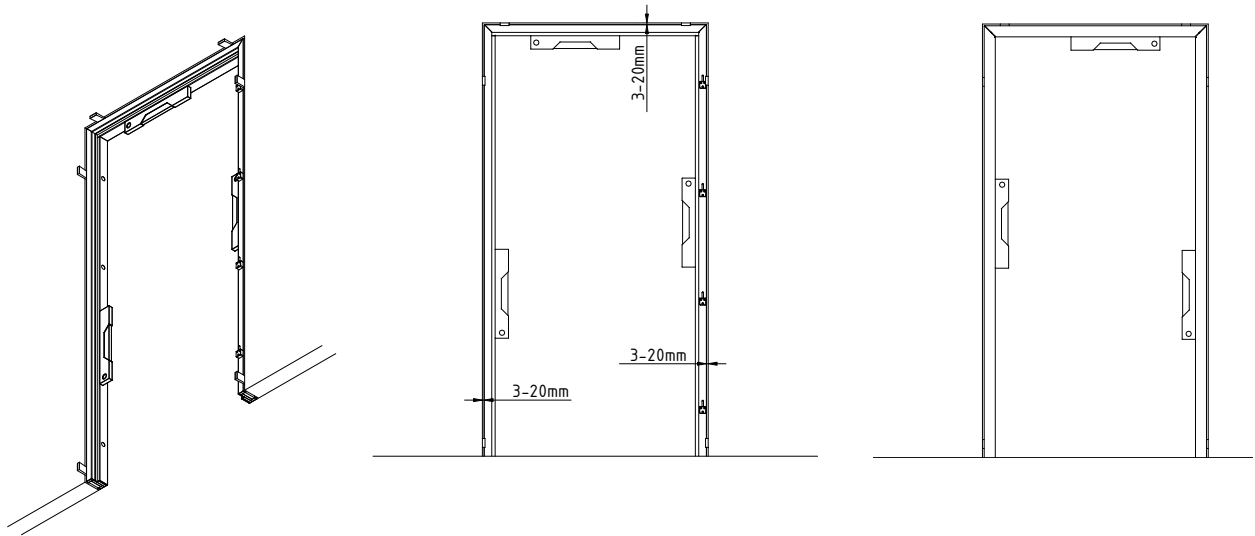
---

The sealing width is the distance between the frame and the wall opening. This distance must be between 5-20 mm, see below figur.

If the requirements are not kept, the wall opening has to be adjusted, so the requirements can be fulfilled. This adjustment is to be agreed with the owner of the door. The company/person who mounts the door is responsible for this agreement.

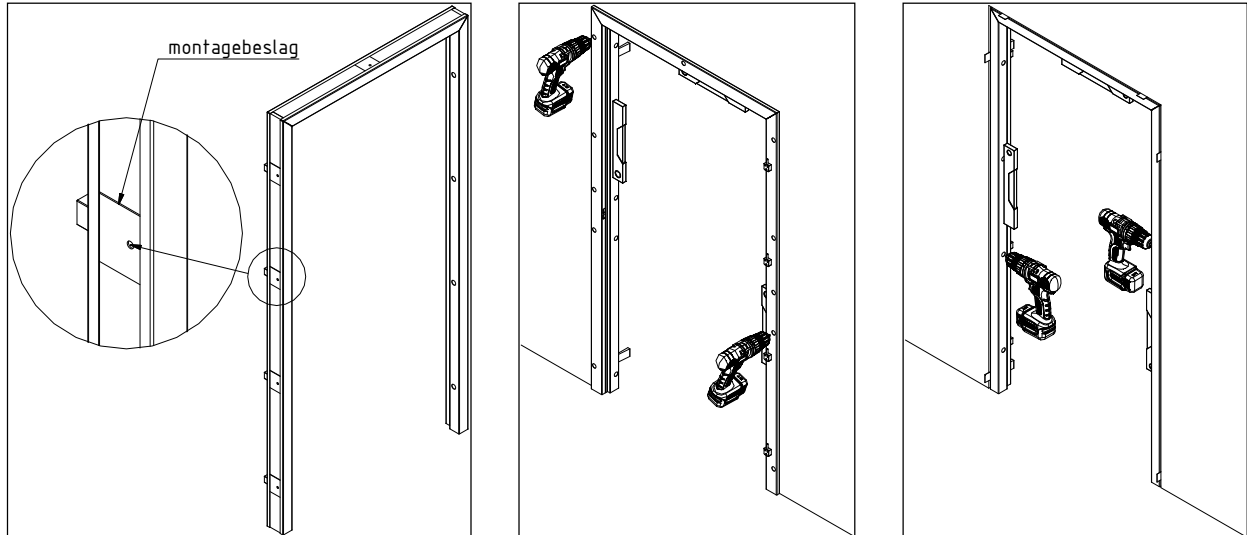


## Mounting of frame



Before final fastening of the frame, the following has to be checked:

- The frame is level both horizontal and vertical
- The placement of the frame is correct according to the finished floor level, which means the door leaf is clear of the floor at an opening of 90°/180°.
- The distance between the frame and the wall according to the above figure “Distance between wall and frame”.



Fasten the frame through the existing mounting holes and underlying mounting connectors in the frame. Drill holes through the mounting holes and fasten the frame with the supplied fasteners. Any counter frame is also fastened through the prepared holes for mounting. The frame ALWAYS has to be fastened to a fire wall.

**NB! DO NOT USE FOAM FOR MOUNTING OR FIXING OF THE FRAME.**

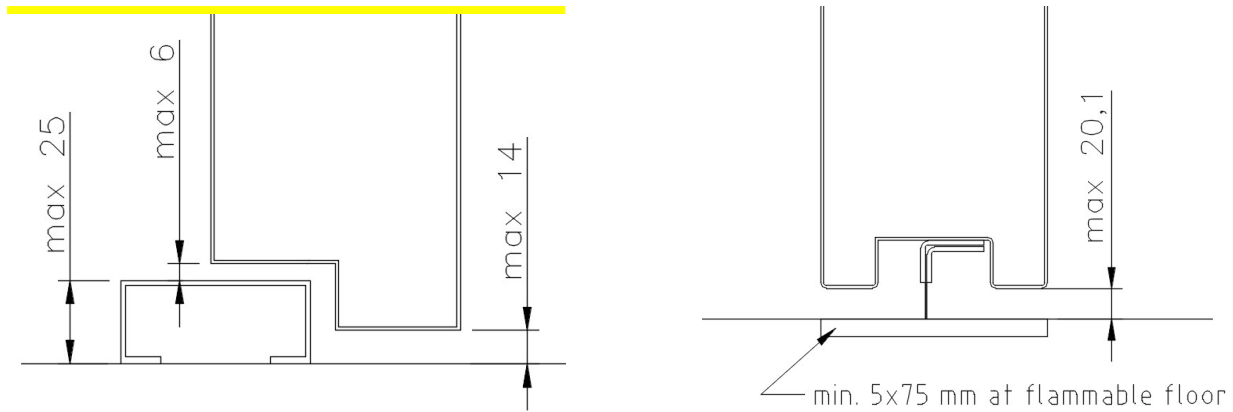
## Mounting of threshold

---

The threshold is delivered either welded on the frame or detached.

A welded threshold is mounted as the frame.

Detached threshold is bolted to the floor at the same time as the frame is being mounted. Sealing is used between the threshold and the floor on both sides of the threshold.



## Mounting of door leaf and fitting of hardware

---

When the frame is mounted in the wall opening and all measurements are checked, the door leaf is mounted on the hinges on the frame.

Control the following after mounting of frame and door leaf:

- The distance from the edge of the door leaf to the rebate of the frame in side- and over frame must not be more than 5 mm.
- The distance from the bottom of the door leaf to the rebate of the frame in the threshold must not be more than 6 mm.
- The distance from the bottom of the door leaf to the flooring or to a metal rail (min. 5 mm thick) on the floor must not be more than 20 mm.

Fitting of hardware:

Complete the door by mounting all supplied accessories on the door; door closer (see fig. 2.3.1), hold open device, espagnuette and/or other connectors – check the following:

- The door leaf and the latch can easily move.
- The latch engages when the door closer closes the door leaf from any given open position of 300 mm or more, see drawing.

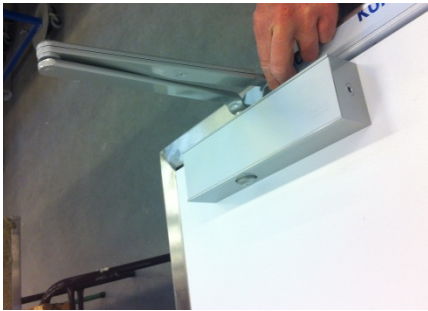
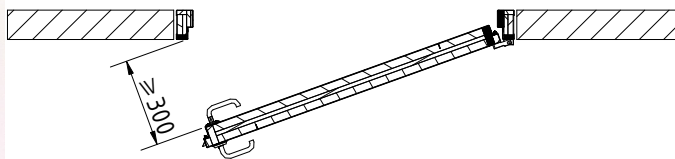


FIG. 2.3.1



NB: A Lock which stops the door leaf from closing and the latch to engage (eg. lock with deadlock) have to be approved by the fire authority. The owner of the building is responsible for all solutions are approved.

## Sealing of doors

---

Side- and top-frame:

- The gap between the frame and the wall is fitted with stone wool.
- Seal the gap with approved adhesive - FP silicone sealant from Den Braven Sealants, Sabaprotect M500 from SABA Dinxperlo BV, Byg og sanitetessilicone from Ljungdahl, Vådromssilicone 512 from Dana Lim, Sikasil-FDA from Sika or SikaHyflex-402 from Sika.

Side- and top frame, poured out with concrete:

- The gap between the frame and wall is fitted with backstop and sealed with approved adhesive - FP silicone sealant from Den Braven Sealants, Sabaprotect M500 from SABA Dinxperlo BV, Byg og sanitetessilicone from Ljungdahl, Vådromssilicone 512 from Dana Lim, Sikasil-FDA from Sika or SikaHyflex-402 from Sika.
- Before the pouring of concrete in the frames, stiffening has to be made which is able to withstand the forces of the concrete (the weight) so the frame will not deform.
- Pour out the concrete in the frame. The concrete should be in a liquid consistency so the cavity can be filled completely.
- The stiffening must not be removed before the concrete is cured.



Bottom frame/threshold:

- Fill the gap between the bottom frame/threshold and the floor (carrying construction) with mineral wool or concrete in all its width and depth as described in the paragraph “Side- and over frame, poured out with concrete”.

## Cleaning after mounting

---

- Make sure the door and frame are clean and all concrete, adhesive or other materials are removed (acid may not be used on the steel surface).
- Make sure the door easily can open and close and there is no obstacles for the use of the door.
- When the door is closed, the sweeper gasket shall touch the floor and the gaskets in the sides and on the top of the door shall touch the frame.  
(The gaskets may not be squeezed flat as that will reduce their lifetime).
- Remove the foil from frame and door.
- Close all mounting holes and holes for pouring the concrete with the supplied corks.
- Oil all stainless surfaces with oil for stainless steel and intended for use in the environment where the door is mounted.
- Make sure that hinges, handles and locks are all greased with grease.

## Documentation

---

Make sure the label is attached to the door. The label holds information regarding fire approval and CE-mark (if the door is CE-marked).

Make sure the following documentation is supplied with the door:

- DoP, Declaration of performance (if the door is CE-marked)
- Operation – and maintenance manual