

MOUNTING INSTRUCTION FOR HINGED DOORS

MODEL

MH0401 / MH0402

MH0601 / MH0602

MH0631 / MH0632

MH0751 / MH0752

MH1001 / MH1002

MH1501 / MH1502

AH0401 / AH0402

AH0601 / AH0602

AH0751 / AH0752

Content

The instruction covers	3
Content of delivery	3
Type of wall/fastening	4
Mounting	4
Tools for mounting	4
Before mounting	5
Control of wall opening	5
Distance between wall and frame.....	5
Mounting of frame.....	6
Mounting of bottom rail and threshold.....	7
Mounting of door leaf and fitting of hardware	8
Sealing of doors.....	9
Cleaning after mounting	10
Documentation	10
Layout drawing of hinged doors	11

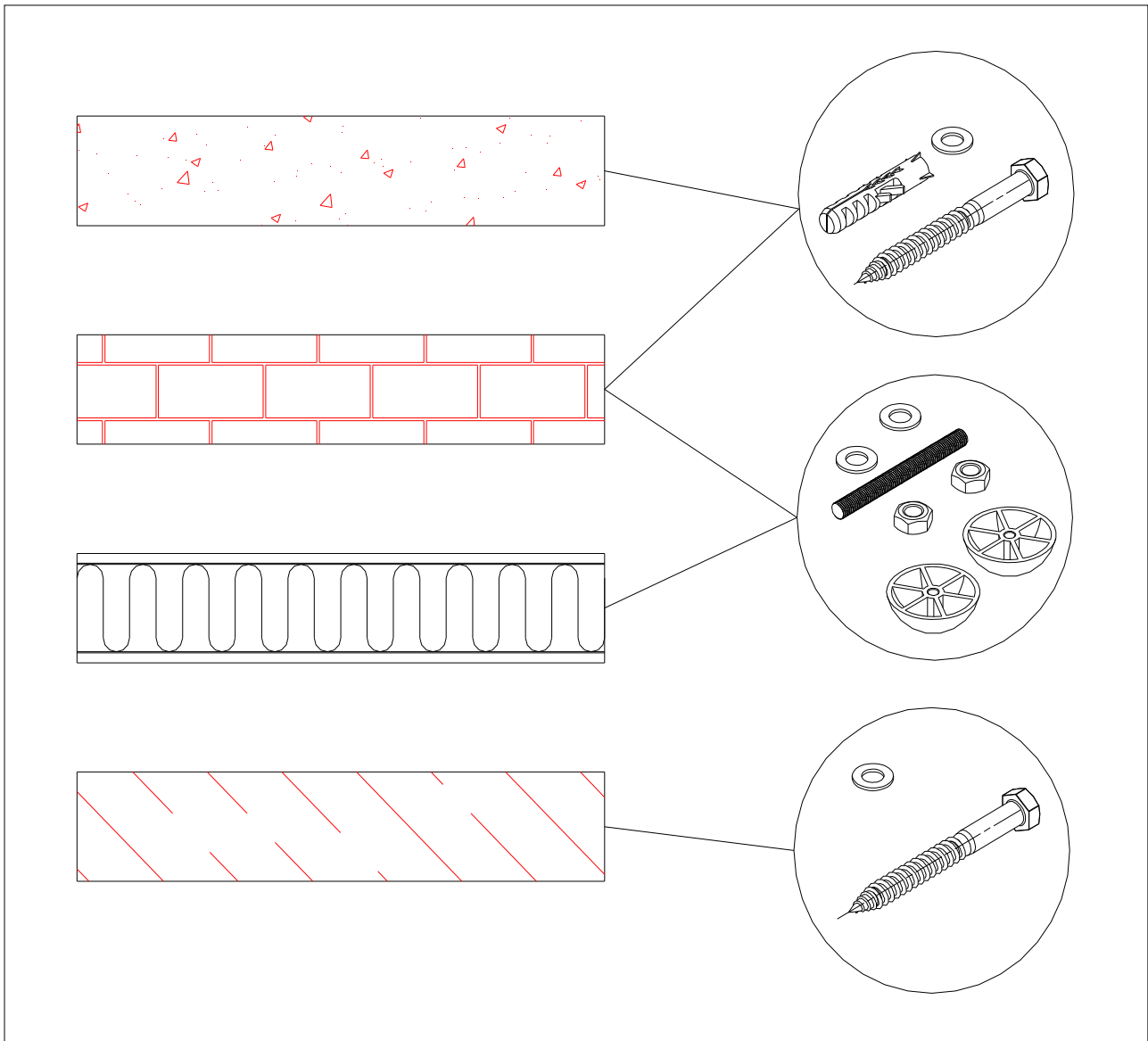
The instruction covers

This instruction covers all variations of the models stated on the front page. A variation contains the model number and following letters and possible numbers. For example, a variation can be (based on the model number MH0601): MH0601K, MH0601KTB, MH0601LN, MH0601LP, MH0601RK, MH0601SF etc. Labelled and approved fire doors are not covered by this instruction.

Content of delivery

Description	Comment
Counter frame	Option
Frame + door leaf	
Necessary bolts, muster, screws and plugs for installation.	

Type of wall/fastening



Mounting

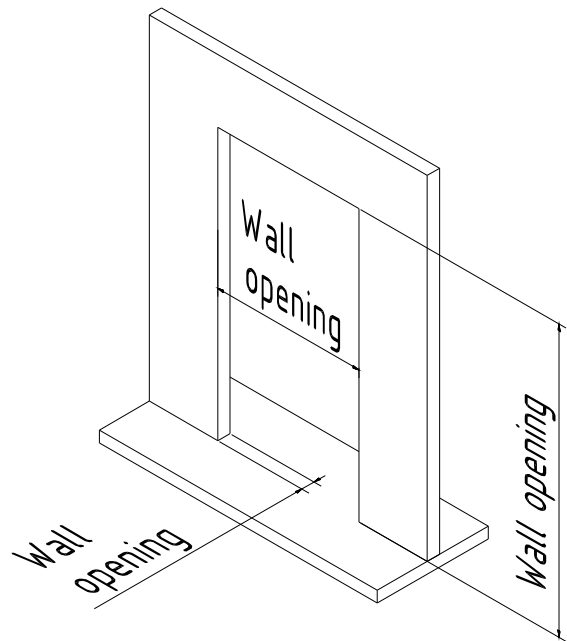
Tools for mounting

- Wedge
- Level
- Drilling machine
- E.g. backstop/mineral wool
- Adhesive
- E.g. concrete for pouring out the frame

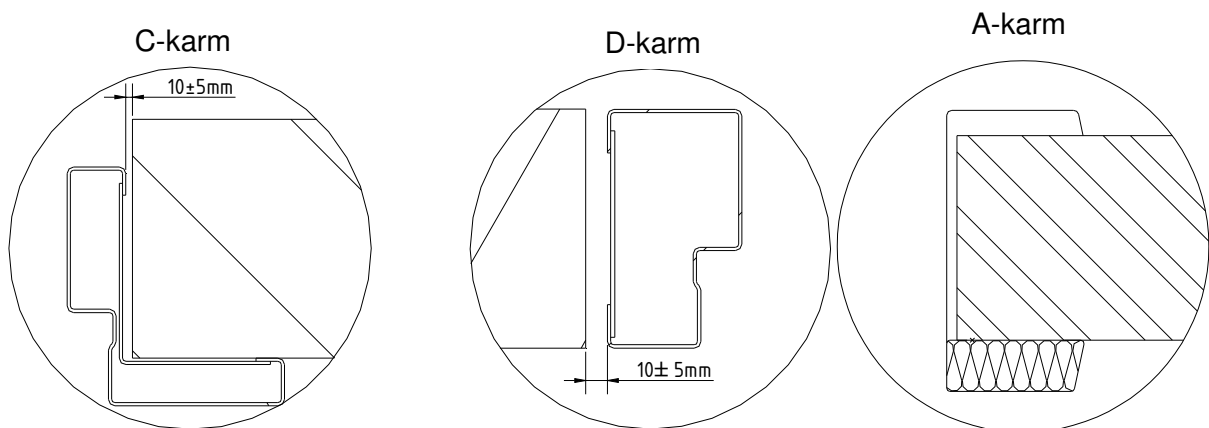
Before mounting

Control of wall opening

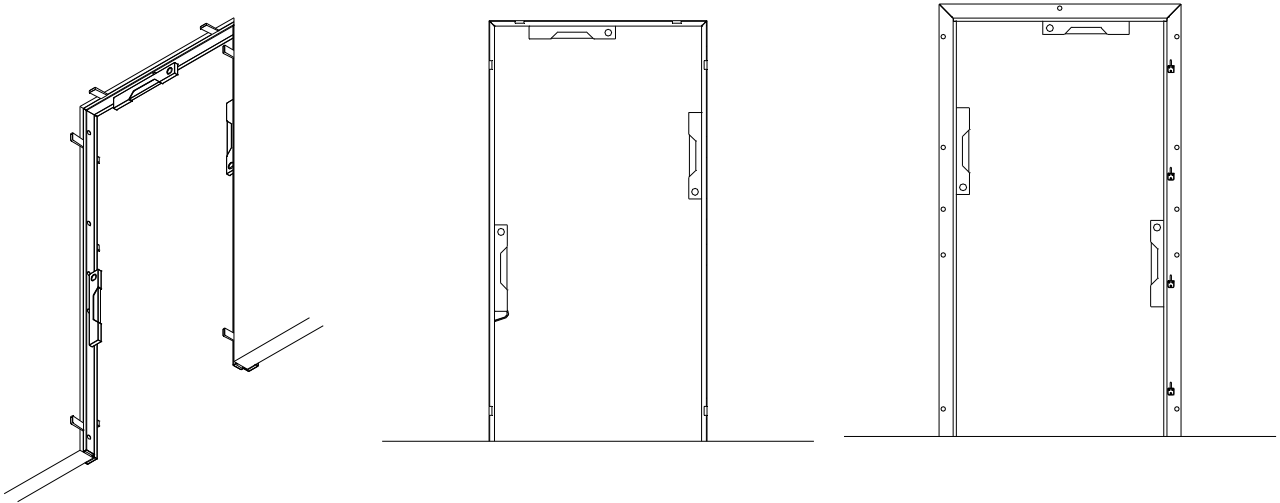
Make sure the wall opening is level and perpendicular and in accordance with the order confirmation.



Distance between wall and frame

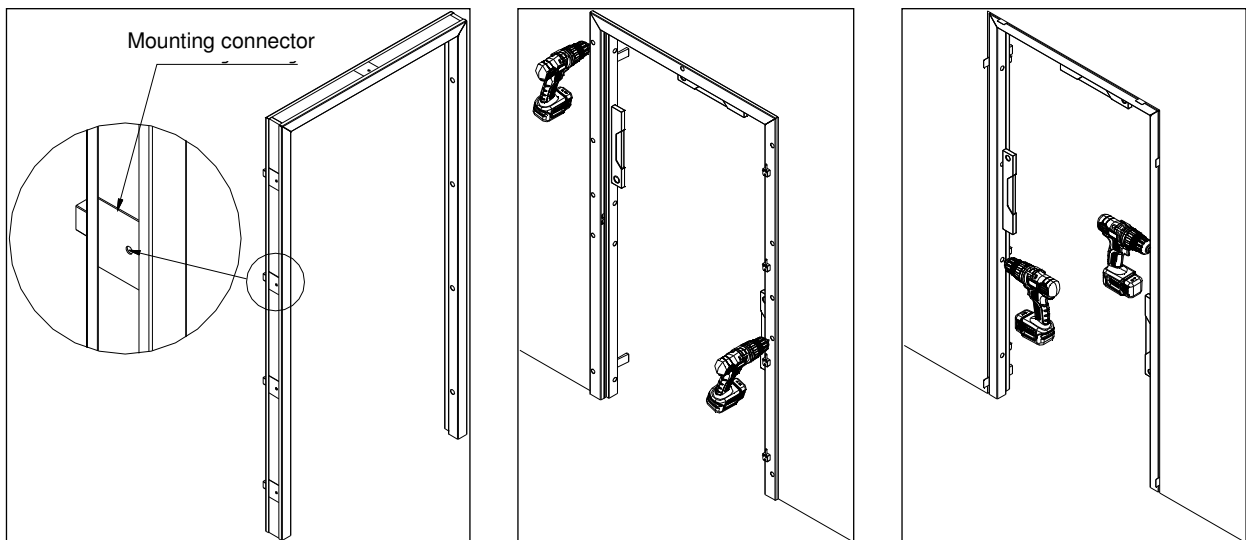


Mounting of frame



Before the final fastening of the frame, the following have to be checked:

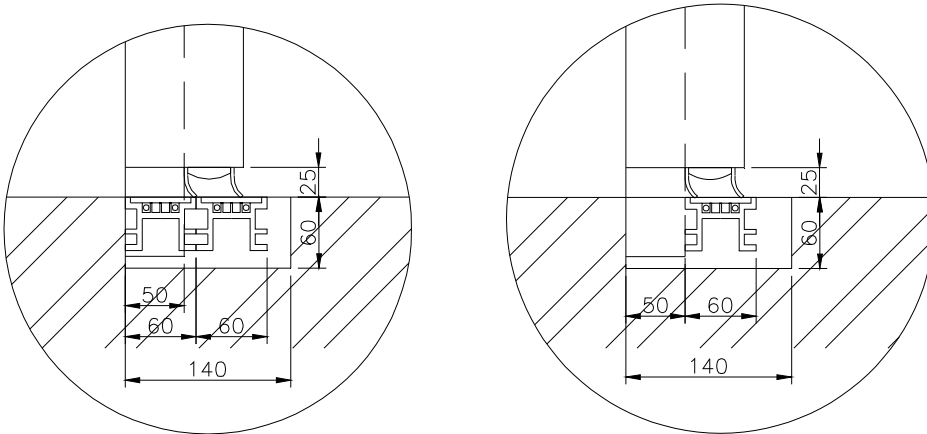
- The frame is level both horizontal and vertical
- The placement of the frame is correct according to the finished floor level, which means the door leaf is clear of the floor at an opening of 90°/180°.
- The distance between the frame and the wall according to the above figure “Distance between wall and frame”.



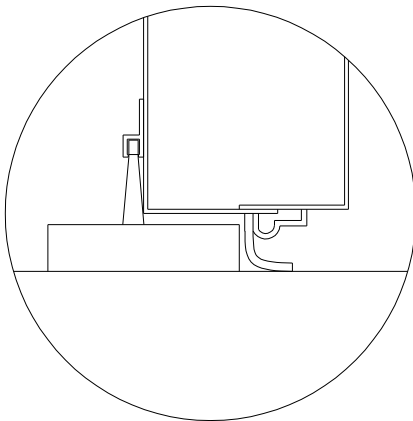
Fasten the frame through the existing mounting holes and underlying mounting connectors in the frame. Drill holes through the mounting holes and fasten the frame with the supplied fasteners. Any counter frame is also fastened through the prepared holes for mounting.

Mounting of bottom rail and threshold

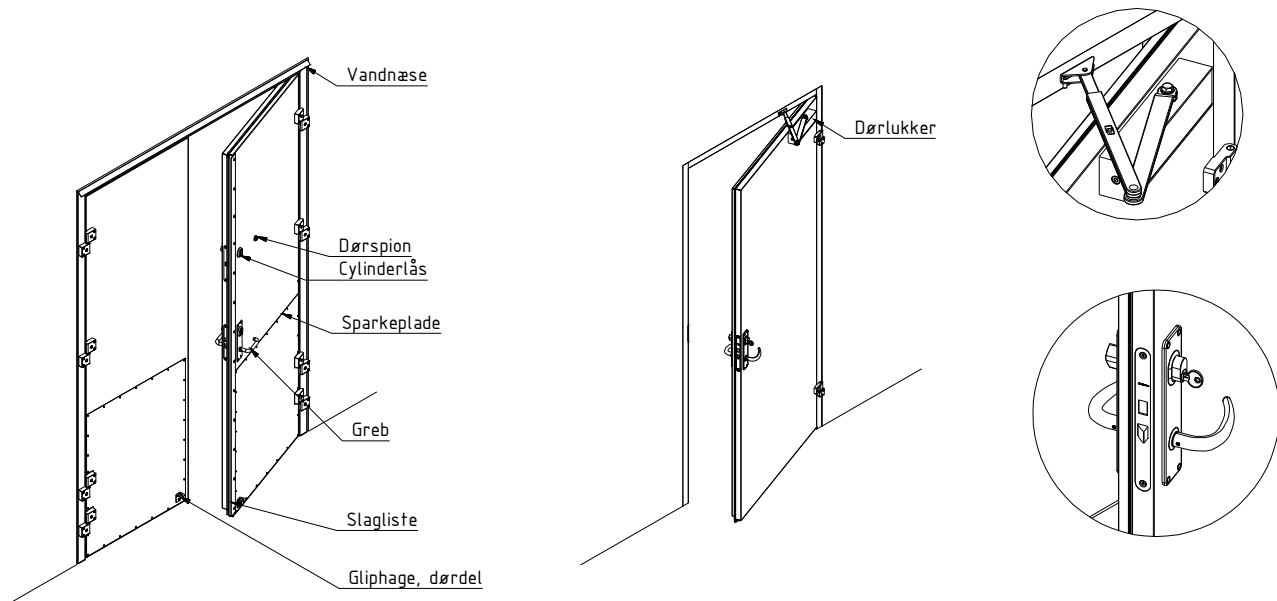
For doors, that need heating cables at the bottom, a bottom rail is often used. Make a groove for the bottom rail, about 140 x 60 mm in the floor (see drawing below). It can be necessary to raise the bottom rail to make it the same level as the floor. The heating cable for the bottom rail is at the bottom of the frame. Place the heating cable 3 times back and forth in the bottom rail; the cables must not cross each other or in other way touch each other. The lid of the bottom rail is fastened with rivets. Pour out with concrete between the bottom rail and the floor.



The threshold is delivered either welded on the frame or detached. A welded threshold is mounted as the frame. Detached threshold is bolted to the floor at the same time as the frame is being mounted.



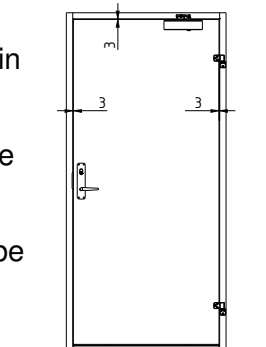
Mounting of door leaf and fitting of hardware



When the frame is mounted in the wall opening and all measurements are checked, the door leaf is mounted on the hinges on the frame.

Control the following after mounting of frame and door leaf:

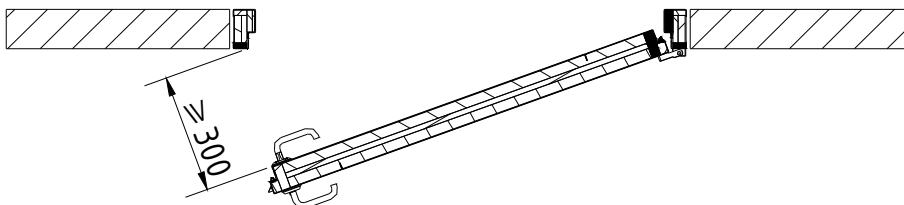
- The distance from the edge of the door leaf to the rebate of the frame in side- and over frame must not be more than 3 mm.
- The distance from the bottom of the door leaf to the rebate of the frame in the threshold must not be more than 6 mm.
- The distance from the bottom of the door leaf to the flooring must not be more than 6 mm. The distance from the bottom of the door leaf to a metal rail on the floor must not be more than 6 mm.



Fitting of hardware:

Complete the door by mounting all supplied accessories on the door; door closer, hold open device, espagnuette and/or other connectors – check the following:

- The door leaf and the latch can easily move.
- The latch engages when the door closer closes the door leaf from any given open position of 300 mm or more.



Sealing of doors

Side- and over frame:

- The gap between the frame and the wall is fitted with backstop.
- Where the frame should be insulated this is checked before the mounting begins (in area where the frame is poured out with concrete, there should not be any concrete).
- Seal the gap with adhesive.

Side- and over frame, insulated (fire doors):

- Fill the gap between the frame and the wall with mineral wool compressed corresponding to a use of 3 m mineral wool size 60x20 mm for every meter of 10 mm gap.
- The amount of mineral wool is proportional to the width of the gap, if the gap is between 5 and 15 mm.
- The frame has to be insulated before the mounting begins (in area where the frame is poured out with concrete, there should not be any mineral wool).
- Seal the gap with adhesive approved for fire.

Side- and over frame, poured out with concrete:

- The gap between the frame and wall is fitted with backstop and sealed with adhesive.
- Before the pouring of concrete in the frames, stiffening has to be made which is able to withstand the forces of the concrete (the weight) so the frame will not deform.
- Pour out the concrete in the frame. The concrete should be in a liquid consistency so the cavity can be filled completely.
- The stiffening must not be removed before the concrete is cured.

Bottom frame/threshold:

- Fill the gap between the bottom frame/threshold and the floor (carrying construction) with mineral wool or concrete in all its width and depth as described in the paragraph "Side- and over frame, poured out with concrete".

Cleaning after mounting

- Make sure the door and frame are clean and all concrete, adhesive or other materials are removed (acid may not be used on the steel surface).
- Make sure the door easily can open and close and there is no obstacles for the use of the door.
- When the door is closed, the sweeper gasket shall touch the floor and the gaskets in the sides and on the top of the door shall touch the frame.
(The gaskets may not be squeezed flat as that will reduce their lifetime).
- Remove the foil from frame and door.
- Close all mounting holes and holes for pouring the concrete with the supplied corks.
- Oil all stainless surfaces with oil for stainless steel and intended for use in the environment where the door is mounted.

Documentation

Make sure the label is attached to the door.

Make sure the following documentation is supplied with the door:

- EF declaration of performance (if the door is CE-marked)
- Operation – and maintenance manual

Layout drawing of hinged doors

